

RC 402 Roof Car

Koltek Roof Car gives flexible and effective access for inspection and maintenance on building exteriors, bridges, ships or offshore installations.

The RC 402 roof car is designed for a Koltek single suspended platform type WT 402 or similar.

For passing corners or obstructions on the façade the roof car is equipped with a jib extension.

The maximum payload depends on the length of the jib, type of rail and position of front rail. Payload must always be verified with product information on the roof car chassis.

RC402 is a roof car access system with low weight and the rail does not take up much space on the roof.



Two types of **Koltek Roof Cars** :

RC402T – with standard telescopic extension.

RC402F – with traversing trolley jib extension for use in places with limited rear space.

The RC 402 Roof car is designed according to relevant regulations for access systems given in the European standard: EN 1808.

Technical Details

Power supply: 400 V 3 phase with 16 Amp fuse.

The roof car can be operated from the roof or from the suspended platform.

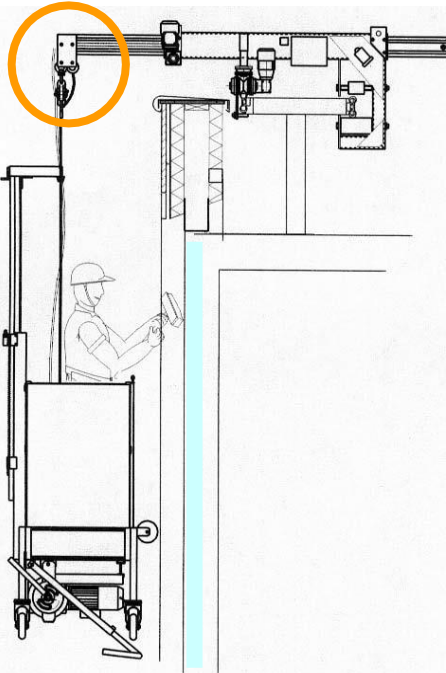
Temperature range: -10/+50 degr. C. Not for use at windspeed above 8 m/s. Net weight:

110 Kg

Note: The design presented in this brochure may be changed without notice.

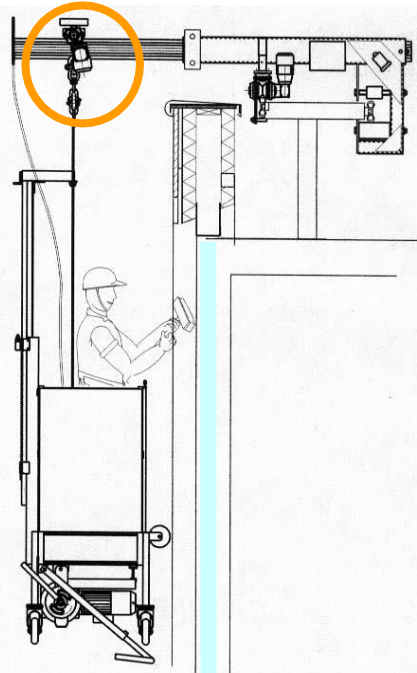
RC 402T

Roof car with telescopic jib extension

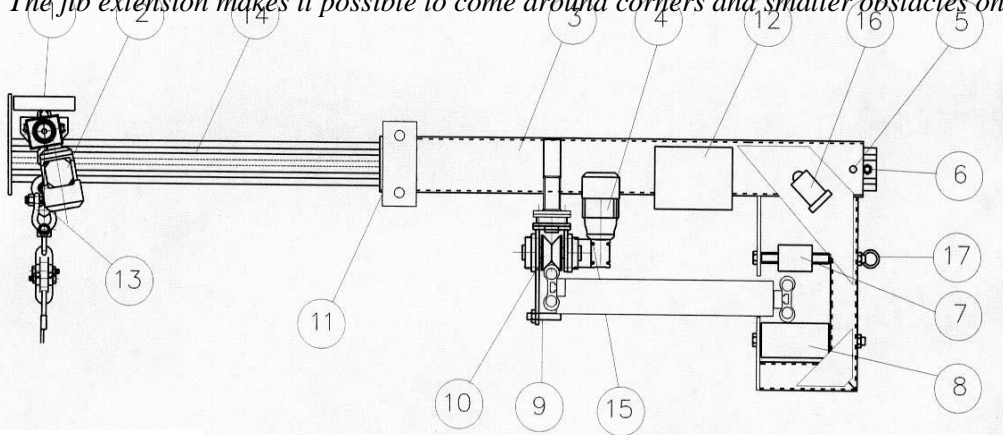


RC 402F

Roof car with traversing trolley jib extension



The two-track system is an alternative to the monorail when you wish to hide the rail system. The jib extension makes it possible to come around corners and smaller obstacles on the façade.



(RC 402F)

Roof car details

- | | | |
|-----------------------------|----------------------|----------------------------------|
| 1 Jib trolley limit switch | 6 Jib moving pin | 12 Connecting box |
| 2 Jib trolley | 7 Rear support wheel | 13 Wire rope connecting point |
| 3 Chassis | 8 Rear wheel | 14 Jib |
| 4 Sideway traversing motor | 9 Safety pin | 15 Sideway movement limit switch |
| 5 Jib locking pin (RC 402F) | 10 Driving wheel | 16 Power input |
| | 11 Jib support wheel | 17 Supply cable connecting poi |